

SKID-STEER & COMPACT TRACK LOADERS
SWL 2830 | SWL 3230 | SWL 4038 | SWTL 4538

Engine Power: **48.6 - 55.4 kW**

Machine Weight: **2 830 - 4 400 kg**

Rated Operating Capacity: **750 - 1 300 kg**



GLOBAL EXPERTISE EUROPEAN SOLUTIONS

As an international success story, Sunward takes a fresh approach to the design and manufacture of construction machinery. Our global expertise, facilitated through our state-of-the-art European distribution hub, combines innovative technological solutions and pioneering engineering capabilities. The result is intelligent solutions to challenges most manufacturers choose to ignore and a desire for continual refinement and improvement.

One of the many ways to do this is by tackling value head-on. Few industries are as competitive as yours. Fluctuating economies, fuel prices, inflation, and pressures on the ground all impact your business. We design and manufacture machinery that puts value and excellence first, minimising the cost of ownership while maximising operator experience – for excellent results and productivity on-site and on your bottom line.



“

All in all, it is the excellent value for money that motivated our decision. Sunward represents a very good investment. The machines are reliable and efficient, with a 3-year warranty, for a very reasonable price.

Antun | Director | Croatia

”



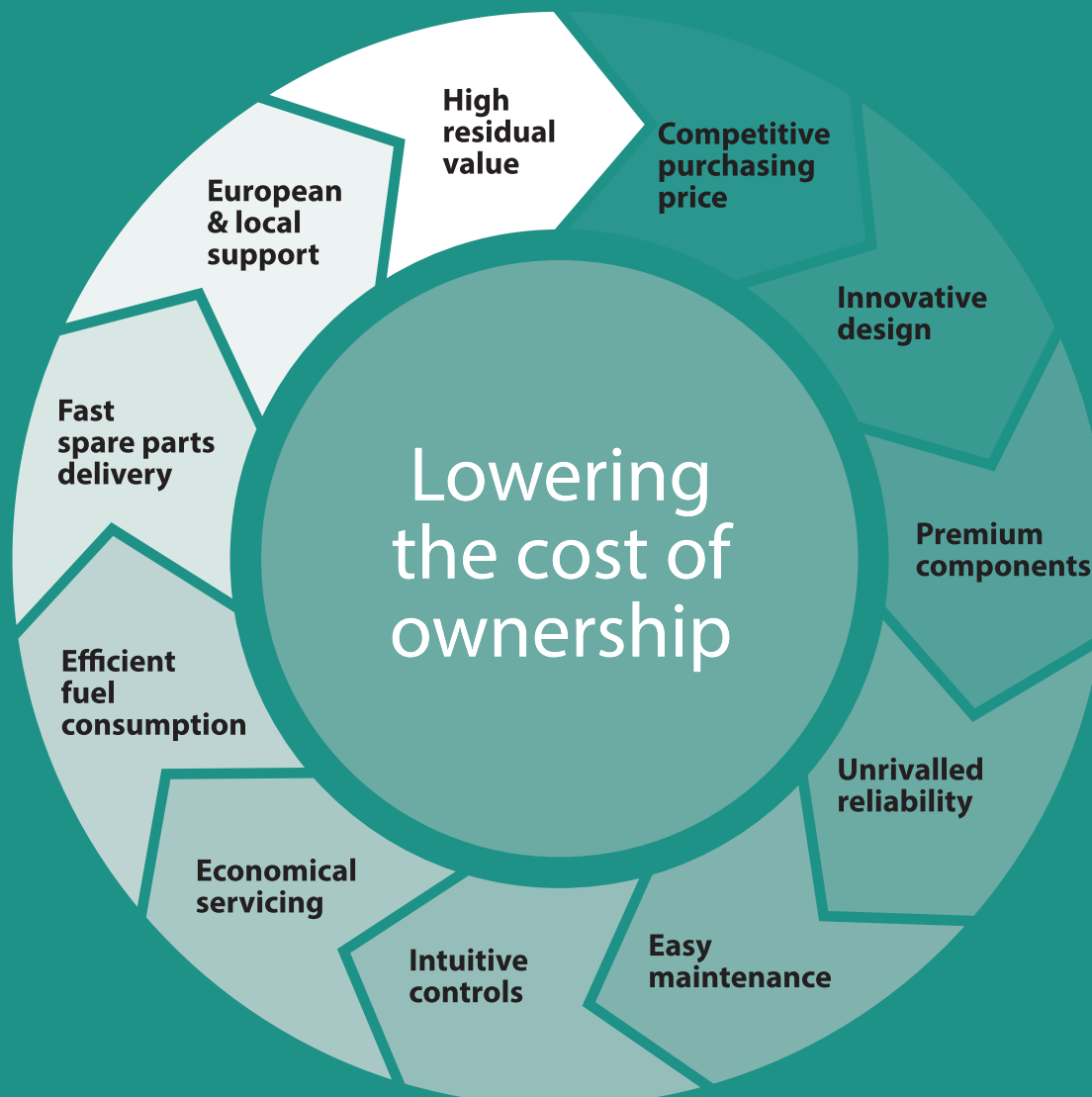
SUNWARD MACHINES - THE SMART CHOICE



SIMPLICITY LEADS TO BETTER VALUE

Sunward machines are designed for the job you need to do – no more, no less. We take an innovation-led approach to everything we do, simplifying the machines and parts through our patents, R&D and production to deliver the perfect combination of durability, user satisfaction and value.

We're driven by cost of ownership. Our experts put every aspect of owning a Sunward vehicle under the microscope. From purchase to day-to-day productivity – including maintenance, parts, servicing, repairs and fuel consumption, and the residual value – we ensure our machines have value built in as standard at every stage.





EXTENSIVE EUROPEAN SUPPORT

Sunward is respected internationally. Our Belgium hub is the epicentre of our European activity. It's where each machine is modified to your exact needs and UK requirements before being subjected to a rigorous pre-delivery inspection. What's more, all critical parts are held in Belgium to ensure delivery to you within 24 hours.

Throughout Europe, Sunward has built a reliable distributor network. Our dealers are at the heart of our passion for excellence and continuous improvement and because they serve your local needs, their knowledge and feedback has a major influence on our engineering and design innovations.

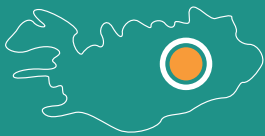
● 150+ European dealers

- Expertise and support is always on hand

● European hub (Belgium)

- Technical support

- 24 hour spare parts delivery



THE SKID-STEER & COMPACT TRACK LOADER RANGE

A highly robust and versatile range of wheeled and tracked loaders designed for simplicity of use on-site, whilst minimising maintenance and increasing productivity.

Agile, powerful, and built to perform in the most demanding environments, our range of Skid Steer Compact wheeled and tracked loaders is built from the ground up for the ultimate in complete manoeuvrability and superior on-site user experience.



“

My company already acquired 4 pieces of Sunward equipment... it is extremely user-friendly, easy to handle and operate. We are very happy with its capabilities. We asked for high performance machinery and this is exactly what we got.

”

Gică | CEO | Romania



SWL 2830 | SWL 3230 | SWL 4038 | SWTL 4538

THE 'AS STANDARD' THAT'S FAR FROM STANDARD



- ✓ Joystick control as standard
- ✓ Air conditioning as standard
- ✓ LED lights as standard
- ✓ Mirrors on arms as standard
- ✓ Hyflow as standard
- ✓ Five-year warranty as standard (extended options available)
- ✓ Inching function (0-100% adjustment throttle speed) as standard



ADDED VALUE FEATURES? HERE'S THE SCOOP...

- ✓ AdBlue Free - The innovative Sunward engine design means AdBlue is not required to meet Stage V emission rating
- ✓ Hydraulic quick coupler option for extra-fast attachment
- ✓ Two-speed drive for quick travel to site and faster cycle times
- ✓ Inching capability so you can work in confined environments
- ✓ Easy-to-clean fan and hinged cooling package for fast cleaning and servicing
- ✓ Premium components - no matter what model you're operating, you can count on the quality
- ✓ Smartfleet with enabled geolocation and remote diagnostics for speedy issue resolution
- ✓ EU Safety Certification



Five-year warranty as standard



DESIGNED TO PERFORM BUILT TO LAST

KEY FEATURES OF THE SUNWARD SKID STEER & COMPACT LOADER RANGE

Our highly versatile compact skid steer loaders offer superior performance, easy maintenance, excellent visibility, great stability, and supreme operator comfort – all powered by the exceptional, award-winning Kubota engine.





SUPERIOR MACHINE PERFORMANCE

With its good lift capacity and plenty of power, the loader range offers impressive breakout force and huge lift capacity. For challenging underfoot conditions, the superior traction of the tracked SWTL 4538 delivers added stability, grip and operator speed across a range of applications.

MACHINE COMPACTNESS

The Sunward range of skid steer loaders presents users with unusually high versatility, and the SWL 2830 model is compact enough for easy manoeuvrability within small spaces.

EASY MAINTENANCE ACCESS

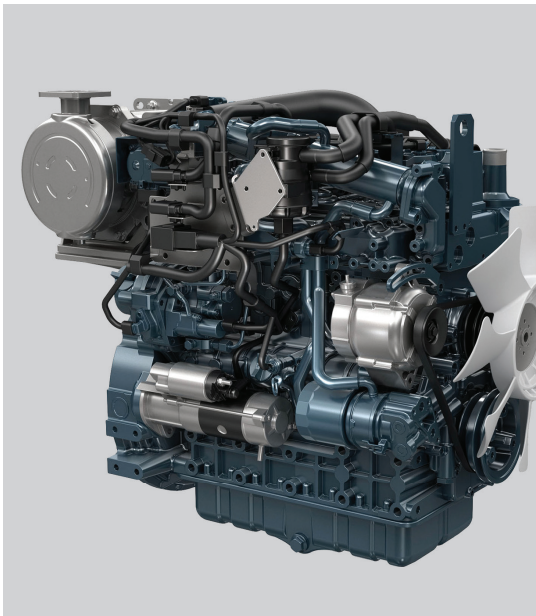
Service checkpoints and cooling system components are accessible from the rear door at ground level. For servicing, all major components are easily and quickly accessible by tilting the ROPS/FOPS cab.

KUBOTA ENGINE

The powerful Kubota engine offers performance, exceptional reliability, and long service life. It complies with the EU's Stage V emission requirements.

OPERATOR COMFORT

Inside, a higher standard of user ergonomics, comfort and safety provides the ultimate operator experience.



We were looking for a skid steer. After a market analysis, we decided to trust Sunward, offering us the best value for money on the market.



Mata | Head of supply | Croatia

INNOVATIVE MULTI-TASKING ATTACHMENT TECHNOLOGY

Sunward skid steer and compact tracked loaders are designed with versatility in mind for enhanced on-site productivity. Each of the four models is engineered ready to accept standard UK attachments for various practical applications.

1. Planetary drive Auger
2. Standard pick-up broom
3. Trencher
4. Hydraulic Hammer
5. Hydraulic drive concrete mixer
6. Rolling compactor
7. Dozer blade
8. Cold planer
9. Backhoe
10. 4 in 1 bucket



The machines are reliable and efficient with a wide range of easy and versatile attachments suitable for a range of tasks on site.



Glyn | CEO | UK



And many more ...

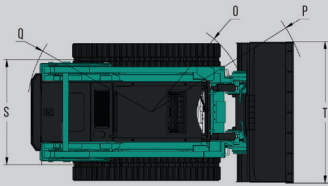
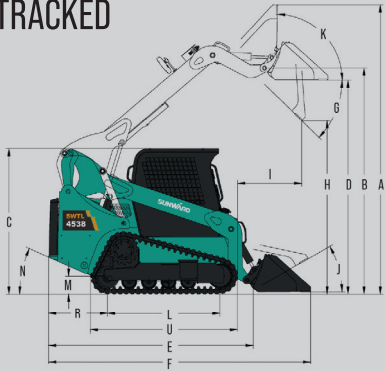
EXPLORE THE RANGE

TECHNICAL PARAMETERS

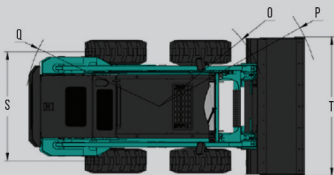
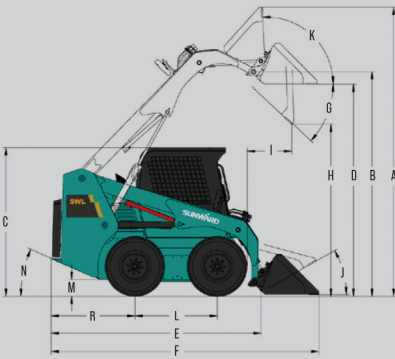
		SWL 2830	SWL 3230	SWL 4038	SWTL 4538
PERFORMANCE	Operating weight	2 830 kg	3 500 kg	3 700 kg	4 400 kg
	Rated operating capacity	750 kg	1 100 kg	1 300 kg	1 200 kg
	Tipping load	1 500 kg	2 200 kg	2 600 kg	3 430 kg
	Breakout force curl	2 000 kg	2 480 kg	3 450 kg	3 385 kg
	Breakout force lift	1 900 kg	2 430 kg	2 600 kg	2 600 kg
	Travel speed	13 km/h	12.6 km/h	12-18 km/h	7.8-13 km/h
DIMENSIONS	Overall dimension [L × W × H] (standard bucket)	3 307 × 1 600 × 2 014 mm	3 724 × 1 830 × 2 068 mm	3 735 × 2 015 × 2 068 mm	3 750 × 2 015 × 2 071 mm
	A Maximum overall height	3 850 mm	4 020 mm	4 110 mm	4 079 mm
	B Bucket pin height at maximum lift	3 002 mm	3 123 mm	3 214 mm	3 222 mm
	C Height to top of cab	2 014 mm	2 068 mm	2 068 mm	2 071 mm
	D Height to bottom of level bucket	2 834 mm	2 948 mm	3 044 mm	3 044 mm
	E Length without bucket	2 604 mm	2 965 mm	2 984 mm	2 969 mm
	F Length with bucket on ground	3 307 mm	3 724 mm	3 735 mm	3 750 mm
	G Maximum dump angle	42 deg	43 deg	41 deg	44deg
	H Clearance at maximum lift and dump	2 320 mm	2 395 mm	2 493 mm	2 467mm
	I Reach at maximum lift and dump	475 mm	625 mm	915 mm	891 mm
	J Rack back angle bucket on the ground	30 deg	30 deg	30 deg	30 deg
	K Rack back angle at maximum height	97 deg	93 deg	89 deg	97 deg
	L Wheelbase	996 mm	1 148 mm	1 188 mm	1 600 mm
	M Ground clearance	212 mm	205 mm	237 mm	228 mm
	N Departure angle	25 deg	26 deg	28 deg	34 deg
	O Turning radius from center - Coupler	1 235 mm	1 344 mm	1 328 mm	1 368 mm
	P Turning radius from center - Bucket	1 953 mm	2 201 mm	2 254 mm	2 253 mm
	Q Turning radius from center - Machine rear	1 531 mm	1 747 mm	1 751 mm	1 744 mm
	R Bumper overhang behind rear axle	1 001 mm	1 159 mm	1 127 mm	855 mm
	S Width over tires	1 293 mm	1 475 mm	1 474 mm	1 950 mm
T Bucket width	1 600 mm	1 830 mm	2 015 mm	2 015 mm	
U Track length	-	-	-	2 100 mm	
ENGINE	Brand	KUBOTA	KUBOTA	KUBOTA	KUBOTA
	Model	V2403-CR-TE4B	V3307-CR-TE5B	V3307-CR-TE5B	V3307-CR-TE5B
	Type	Diesel, 4 cylinders, water cooled	Diesel, 4 cylinders, water cooled	Diesel, 4 cylinders, water cooled	Diesel, 4 cylinders, water cooled
	Emission rating	EU Stage V	EU Stage V	EU Stage V	EU Stage V
	Output	47.9/2 700 kW/rpm	54.6/2 600 kW/rpm	54.6/2 600 kW/rpm	55.4/2 600 kW/rpm
	Max torque	198.5/1 600 N*m/rpm	265/1 500 N*m/rpm	265/1 500 N*m/rpm	265/1 500 N*m/rpm
TRACK	Type	-	-	-	Rubber track
	Rubber shoe width	-	-	-	450 mm
ELECTRICAL SYSTEM	Starter	12V/2.0 kW	12V/3.0 kW	12V/3.0 kW	12V/3.0 kW
	Alternator rating	12V/60A	12V/80A	12V/80A	12V/80A
	Battery	120 Ah	120 Ah	120 Ah	120 Ah
HYDRAULIC SYSTEM	Hydraulic flow (standard)	65 L/min	84 L/min	89 L/min	90 L/min
	Hydraulic flow (high)	95 L/min	125 L/min	130 L/min	130 L/min
	Hydraulic pressure (standard)	21 Mpa	21 Mpa	21 Mpa	21 Mpa
HYDRAULIC OIL TANK CAPACITY		23 L	33 L	34 L	40 L
FUEL TANK CAPACITY		75 L	110 L	95 L	90 L

DIMENSIONS

TRACKED



WHEELED



EQUIPMENT

THE STANDARD AND OPTIONAL EQUIPMENT VARIES FROM COUNTRY TO COUNTRY.
FOR MORE INFORMATION, PLEASE CONTACT US.

	STANDARD EQUIPMENT	OPTIONAL EQUIPMENT
CAB	FOPS/TOPS cab	•
	Safety armrest	•
	Adjustable seat	•
	Mechanical suspension seat	•
	Centralised panel	•
	Double accelerator control system	•
	Pilot control operating system	•
	Fan heater	•
	Air conditioning	•
Lift cylinder safety bar	•	
FRONT WORKING DEVICES	Standard quick coupler	•
	Standard bucket	•
	Four-in-one bucket	•
	Pallet fork	•
	Standard tires	•
HYDRAULIC SYSTEM	Boom emergency descent	•
	Hydraulic auto-level system	•
	Closed hydrostatic travelling system	•
	Standard or high flow hydraulic system	•
	Lift cylinder safety bar	•
ELECTRICAL SYSTEM	2-speed	•
	Front LED working light	•
	Warning beacon light	•
	Travelling alarm system (backward)	•
	Horn	•
	Attachment electronic control system	•
OTHERS	Rear LED working light	•
	Additional counter weight	•



SUNWARD EUROPE HEAVY INDUSTRY N.V

✉ Havenlaan 1

B-3980 TESSENDERLO

Belgium

☎ +32 (0) 11 43 46 66

▶ info.eu@sunward.cc

🌐 www.sunward.eu

YOUR LOCAL DEALER

Specifications may change and this brochure may not reflect the latest specifications. Photographs in this brochure may not reflect market configuration. Please consult your dealer to confirm specifications and configurations. All rights of this brochure are reserved to Sunward International Sales. Please consult the operator's manual before use of any Sunward equipment.