

INNOVATION LEADS TO VALUE



SWE90UF-2PB MINI-EXCAVATOR

◆ Total weight:9.6\9.75t

◆ Engine power:46.2kW/2200rpm

◆ Bucket capacity:0.26m³

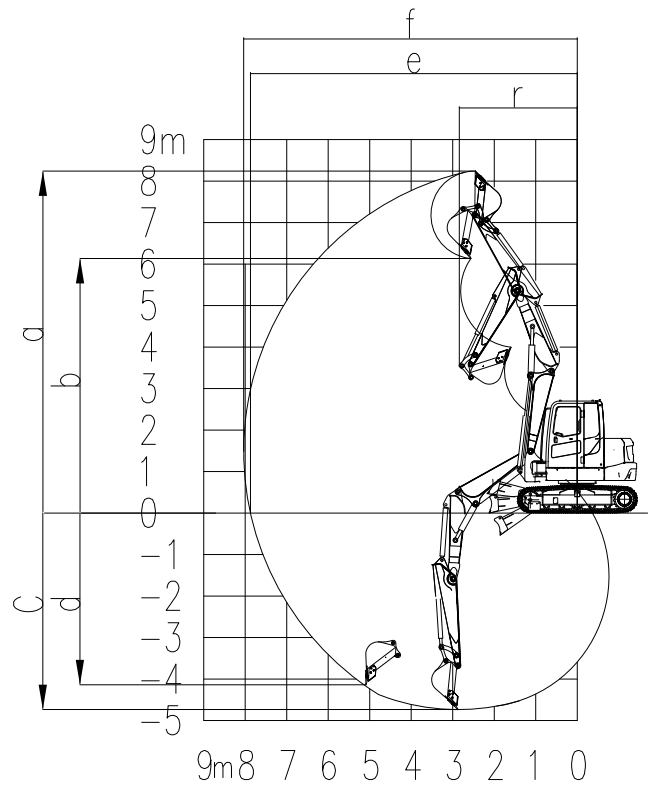


- ◆ It is a multi-functional tail-less construction equipment with excellent appearance and flexible deflection and tail-less construction performance, improving construction efficiency in small spaces.
- ◆ The new comfortable cabin is upgraded with intelligent control devices, one-key start function, and 7-inch touch screen, and the equipment information could be known at any time.
- ◆ Electric proportional handle is provided to control auxiliary tools more accurately. The flow of auxiliary tools could be adjusted for more applications with better coordinated operations.
- ◆ The covered parts could be opened widely and the platform edges could be removed to facilitate internal inspection and maintenance.
- ◆ The two-section moving arm could move in a large range with multi-functional tools for construction under different working conditions.



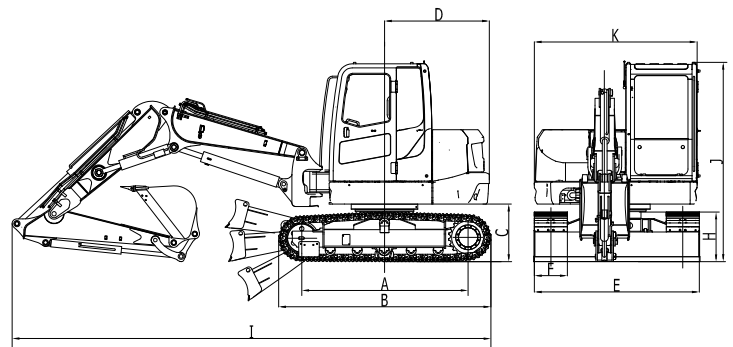
Parameters and performance of the main machine

Dimension (L×W×H)		mm	6535x2270x2735
Overall weight	With rubber track	t	9.6
	With steel track	t	9.75
Standard bucket capacity		m ³	0.26
Bucket digging ability		kN	63.5
Digging force of arm		kN	38
Max. traction		kN	68
Deflection angle (boom)		°	52°(Right)63°(Left)
Travel speed (Max/Min)		km/h	4.7/2.7
Gradeability		°	35
Ground pressure		kPa	35.4
Slewing speed		rpm	11.2
Engine	Brand	YANMAR	
	Model	4TNV98C-SSU	
	Type	4-cylinder, 4-stroke, water cooling	
	Displacement	L	3.319
	Power/Rotation speed	kw/rpm	46.2/2200
Fuel tank capacity		L	120
Primary pump	Type	1 variable piston pump	
	Flow rate	L/min	160
Pressure of main relief valve		MPa	29
Hydraulic oil tank capacity		L	80



Working range

	Arm length	mm	2100
a	Max. digging height	mm	8240
b	Max. dumping height	mm	6135
c	Max. digging depth	mm	4735
d	Max. vertical digging depth	mm	4140
e	Max. digging radius	mm	8035
f	Max. digging reach at ground level	mm	7875
g	Max. lift height of the dozer blade	mm	450
h	Max. digging depth of the dozer blade	mm	485
r	Min. swing radius	mm	2840
	Bulldozer blade length×width	mm	2260x450



Outline dimension

A	Wheel tread	mm	2270	G	Chassis ground clearance	mm	400
B	Total track length	mm	2900	H	Track height	mm	678
C	Ground clearance of platform	mm	800	I	Total length	mm	6535
D	Platform tail slewing radius	mm	1430	J	Cab roof height	mm	2735
E	Chassis width	mm	2250	K	Upper-structure width	mm	2220
F	Track width	mm	450				

★ The above parameters may be different due to product upgrading.

